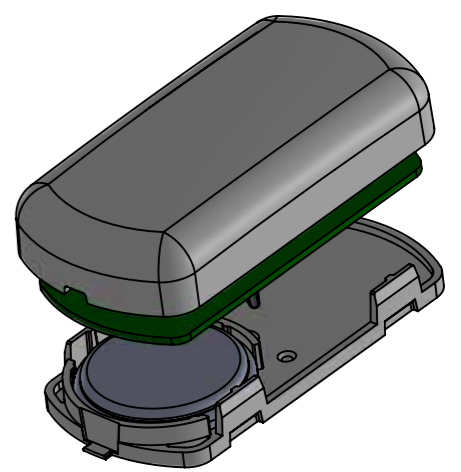
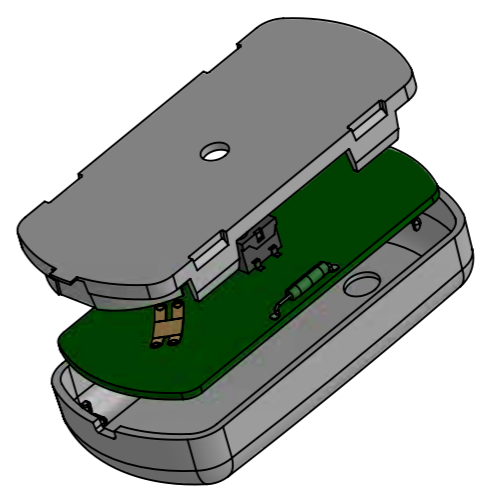
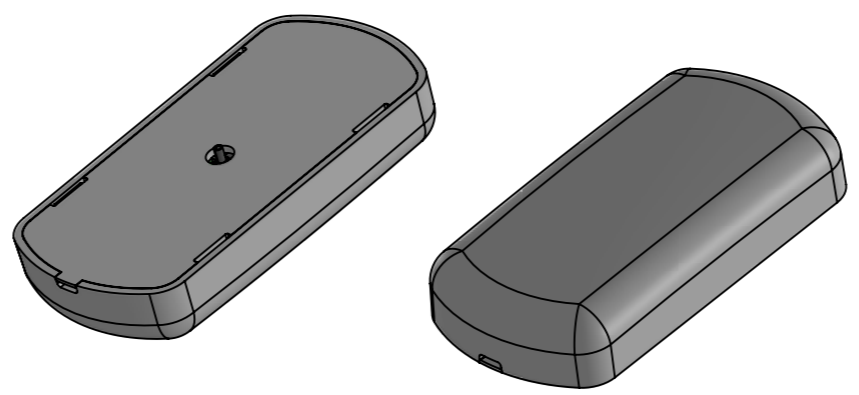
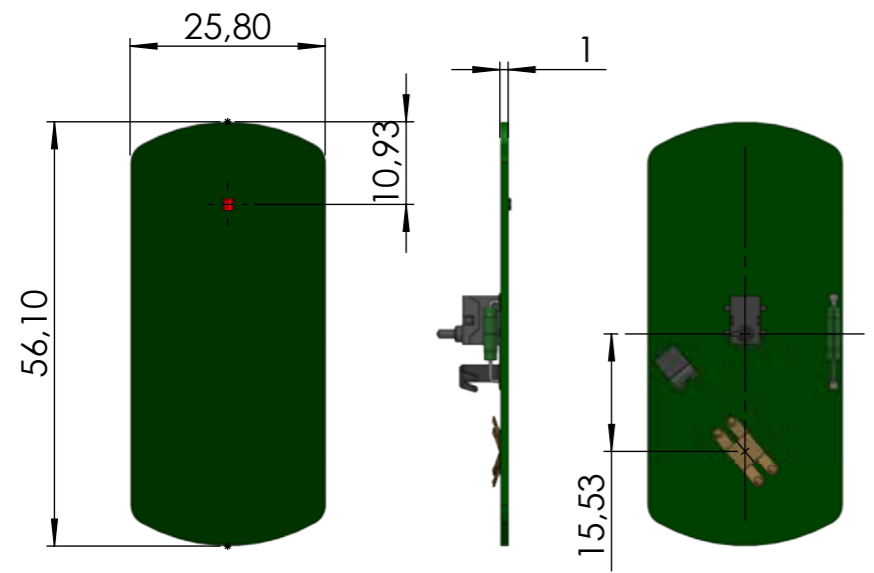

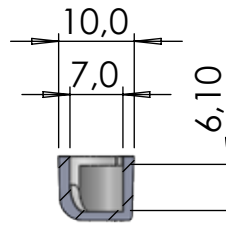
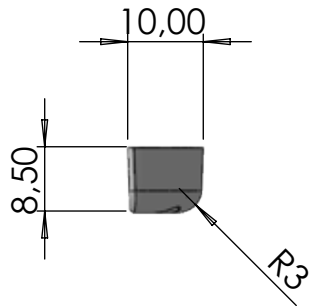


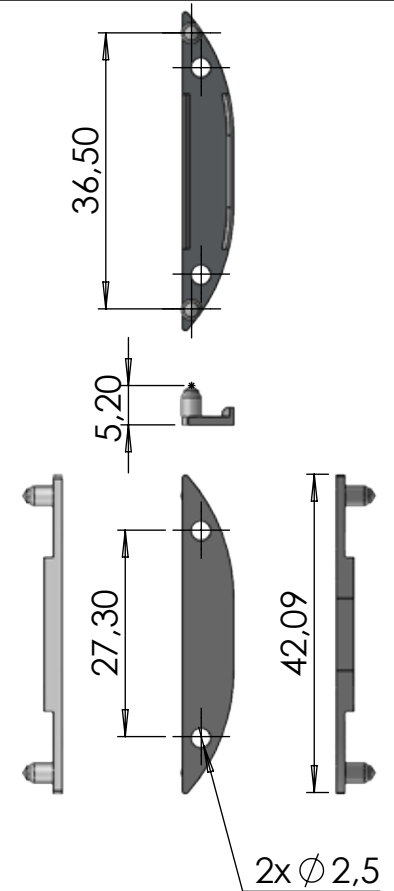
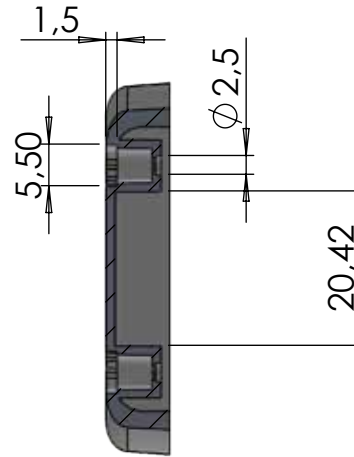
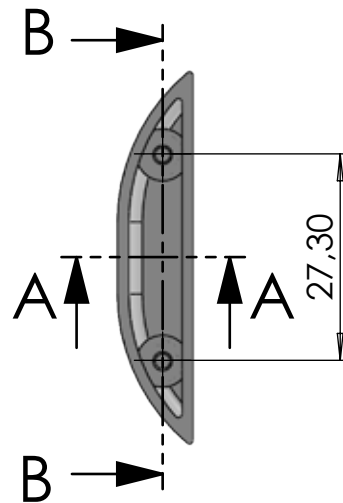
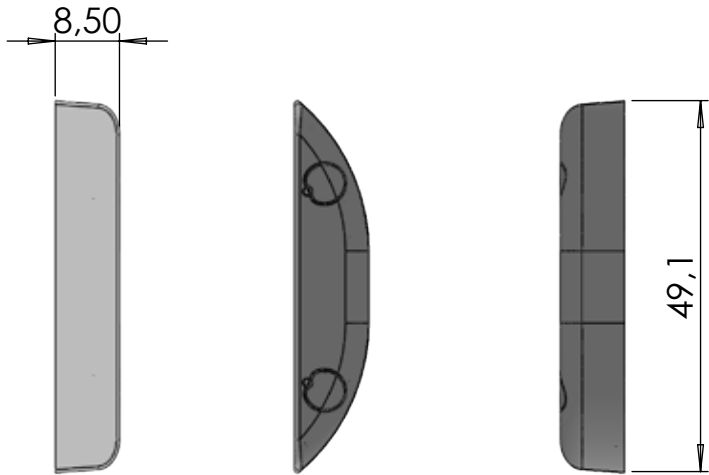
PCB MAX SIZE



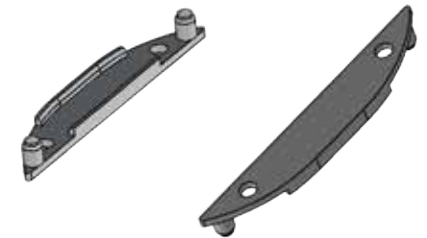
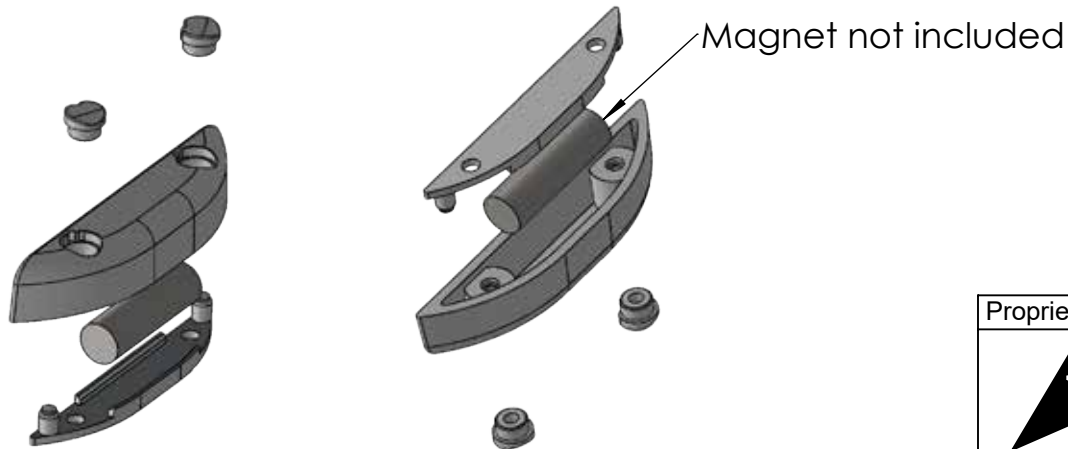
Proprietary and Confidential		TEKO S.p.A. Via dell'Industria 5 - S.Lazzaro di Savena - BO - IT		
		<i>Subject to technical modification without prior notice. Tipographical and others errors do not justify any claim for damages. All dimensions should be verified using an actual moulded part.</i>		
		Part Number: SE01	Date: 25/05/2022	Sheet: 1 of 1
<small>This document contains proprietary information of TEKNO S.p.a. and is tendered subject to the conditions that the information be retained in confidence not be reproduced or copied and not be used or incorporated in any product</small>		Size: A3	Scale: 1:1	


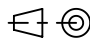


SEZIONE A-A



SEZIONE B-B



Proprietary and Confidential	TEKO S.p.A. Via dell'Industria 5 - S.Lazzaro di Savena - BO - IT			
	<i>Subject to technical modification without prior notice. Tipographical and others errors do not justify any claim for damages. All dimensions should be verified using an actual moulded part.</i>			
	Part Number: SE02	Date: 10/06/2022	Sheet: 1 of 1	First angle prj. 
<small>This document contains proprietary information of TEKO S.p.a. and is tendered subject to the conditions that the information be retained in confidence not be reproduced or copied and not be used or incorporated in any product</small>			Size: A4	Scale: 1:1